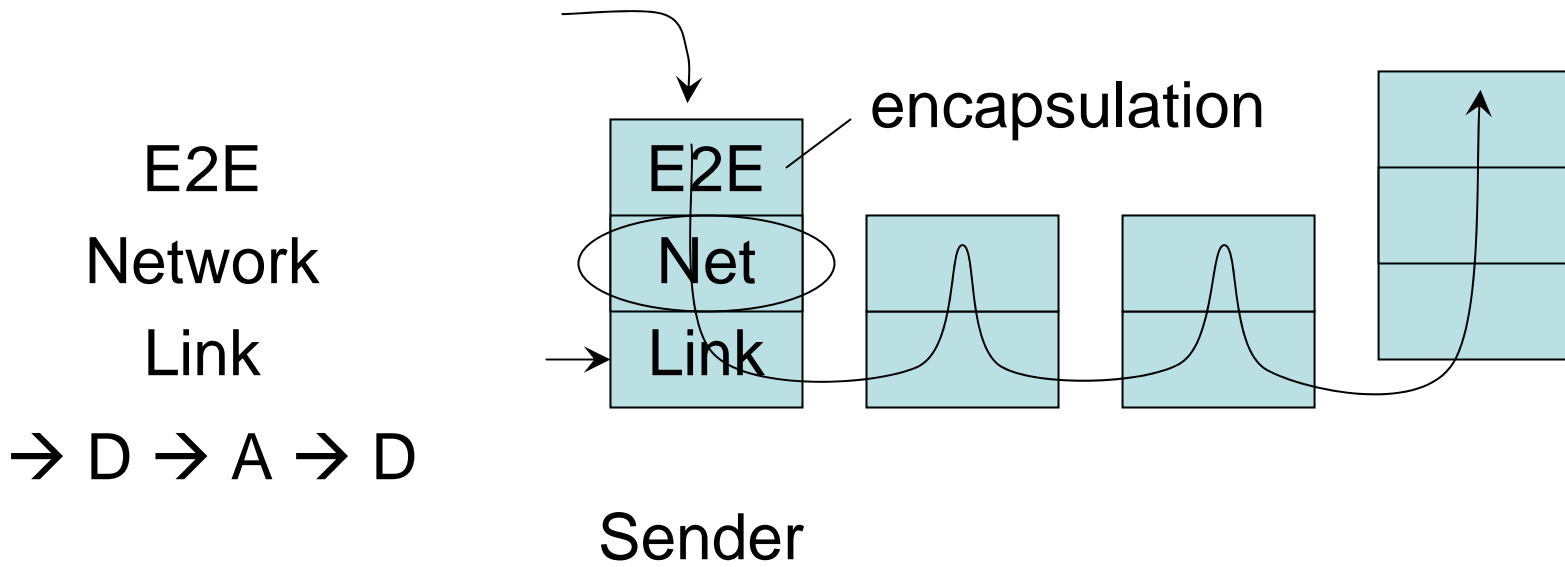


# Layers



## Bit-stuffing

end = 111

sndr: 111 → 1110

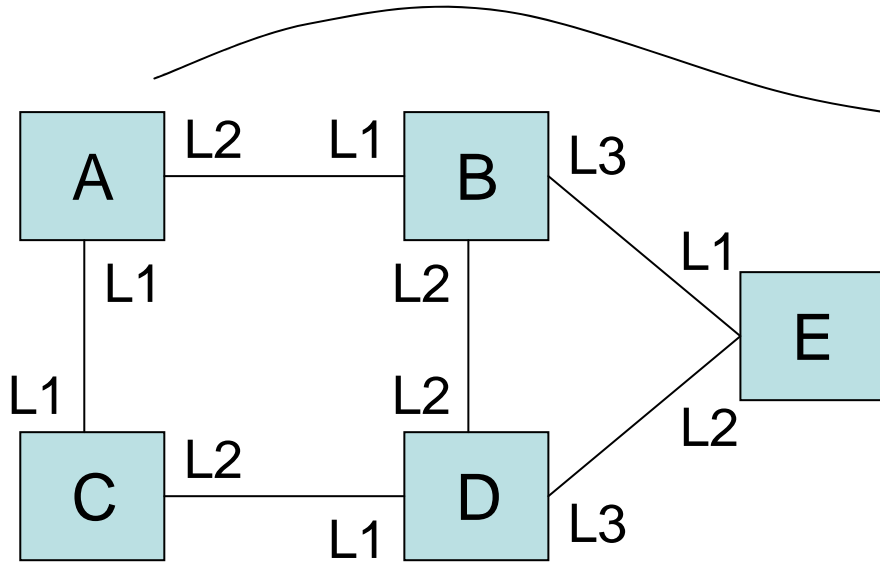
rcvr: 1110 → 111

net: 1111      net: 1110

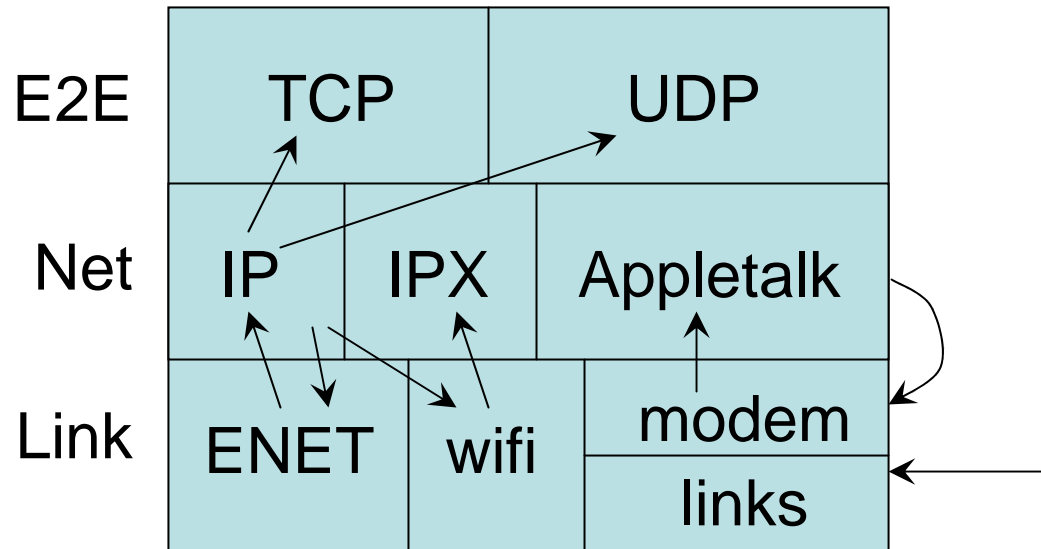
link: 11101    link: 11100

# Network Layer

- 1) forwarding
- 2) routing



Dest	Next Link
A	E2E
B	L2
C	L1
D	L1
E	L2



# Routing

- 1) Scalable
- 2) Robust
- 3) Distributed

# Routing

“Soft State”

2 steps:

- Advertisement
- Integration

Issue: Scalability

Soln: Hierarchy

Autonomous  
systems (ASes)

